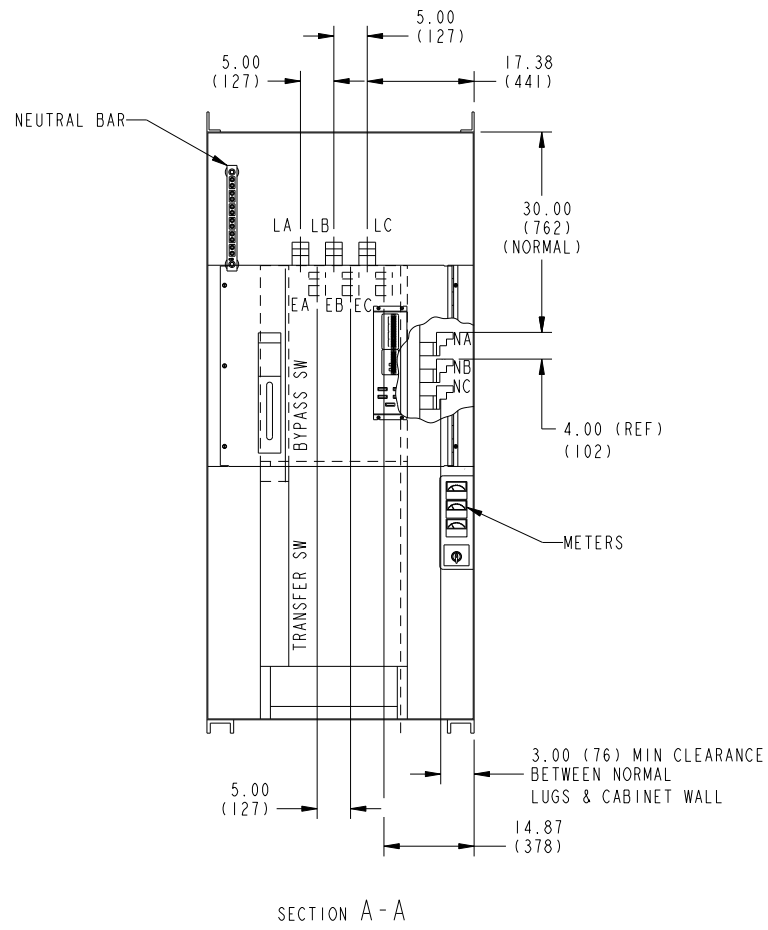
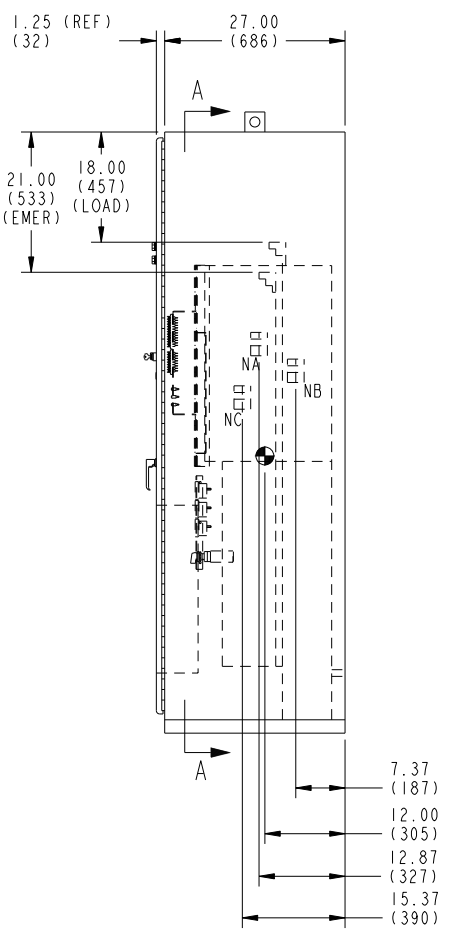
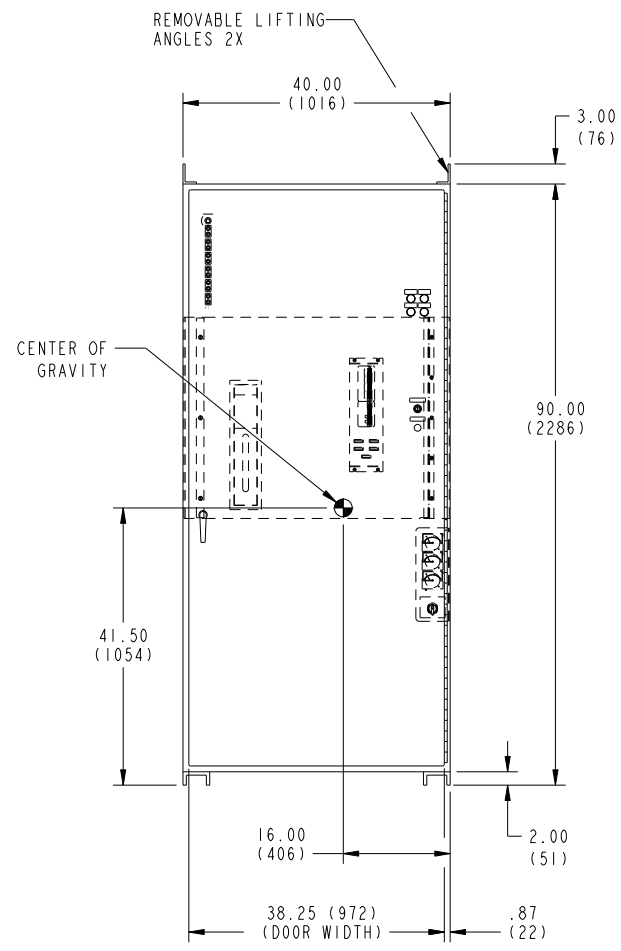
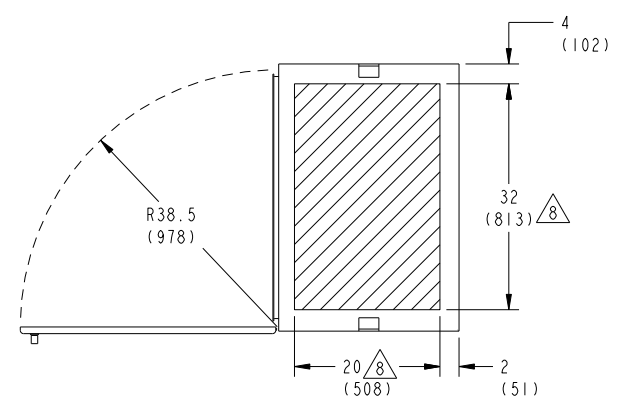


REL NO	LTR	NO	REVISION	OWN	CAD	APVD	DATE
ECO-125690	E	1	NOTE 3, 'NEMA 3R, 4, 4X AND 12 ENCLOSURE'	-	-	-	-
		2	WAS 'NEMA 3R, 4 AND 12 ENCLOSURE'	NAK	LJY	L.SMITH	12JUN12
		3	ZONE C3, RMV 'REMOVABLE BACK PANEL'	NAK	LJY	L.SMITH	12JUN12
		4	SEE SHEET 2	NAK	LJY	L.SMITH	12JUN12

NOTES:

- DIMENSIONS IN () ARE MILLIMETERS.
- USE SEPARATE CONDUITS FOR CONTROL WIRING AND POWER WIRING. DO NOT COMBINE.
- NEMA 3R, 4, 4X AND 12 ENCLOSURE.
- LUG CAPACITY -
PHASE LUGS : (4 WIRES) #2-600 MCM CU-AL.
NEUTRAL LUGS : (12 WIRES) 250-500 MCM CU-AL.
- APPROX. WEIGHT : 1980 LBS, MASS : 748 Kg.
- WIRE BENDING SPACE CONFORMS TO NATIONAL ELECTRIC CODE (NFPA70).
- REFER TO THE NATIONAL ELECTRIC CODE FOR MINIMUM CLEAR SPACE IN FRONT OF THE ENCLOSURE.
- NOTED AREA INDICATES WIRING AND CABLE ENTRANCE AREA. DO NOT INSTALL OUTSIDE OF THIS AREA.
- TOP ENTRY ONLY.



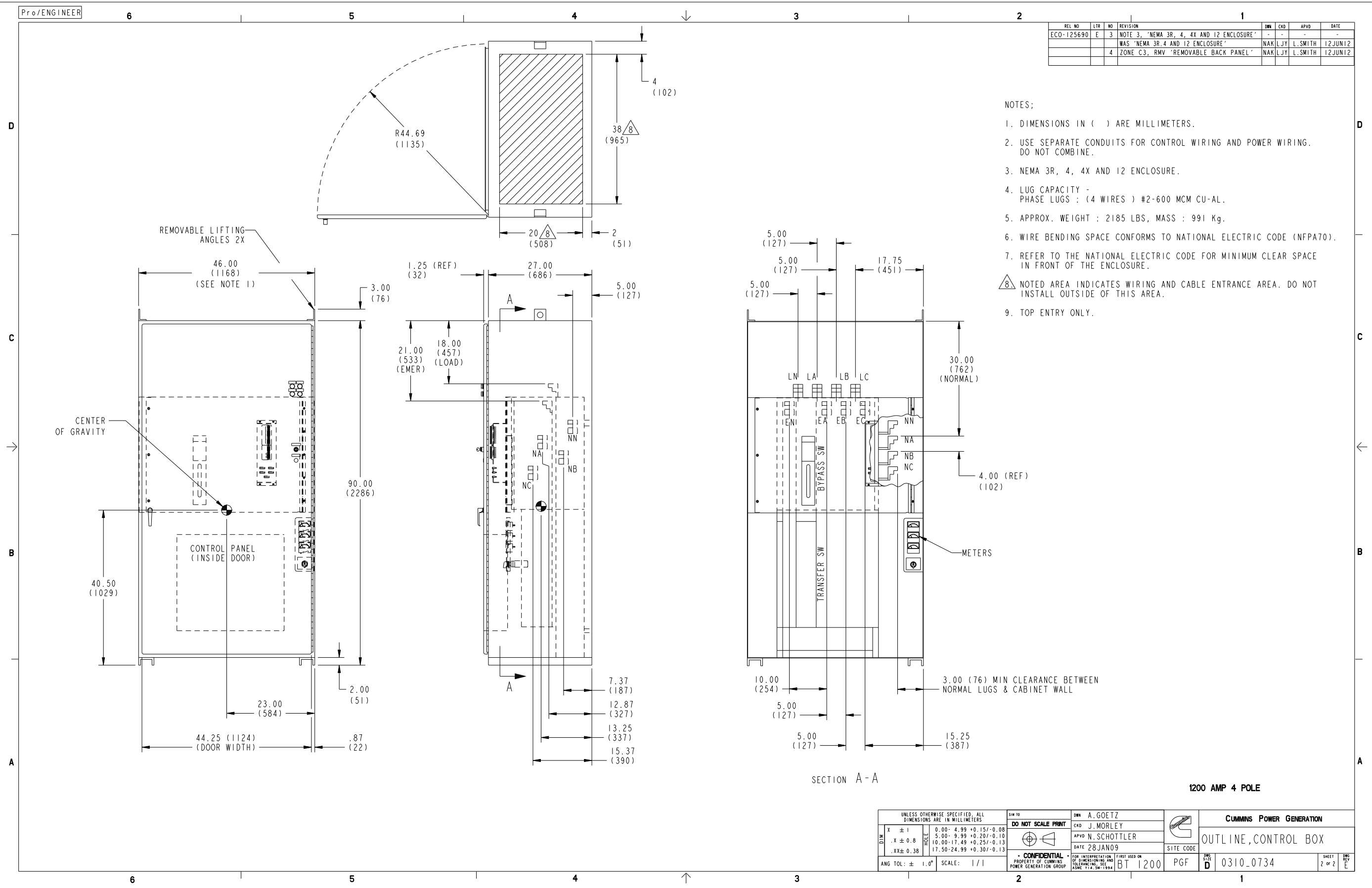
1200 AMP 3 POLE

UNLESS OTHERWISE SPECIFIED, ALL DIMENSIONS ARE IN MILLIMETERS		SIM 10	OWN A. GOETZ		CUMMINS POWER GENERATION	
DO NOT SCALE PRINT		APVD N. SCHOTTLER	OUTLINE, CONTROL BOX			
X ± 1 .X ± 0.8 .XX ± 0.38	0.00- 4.99 +0.15/-0.08 5.00- 9.99 +0.20/-0.10 10.00-17.49 +0.25/-0.13 17.50-24.99 +0.30/-0.13	DATE 28JAN09	BT 1200	PGF	0310-0734	SHEET 1 OF 2
ANG TOL: ± 1.0°	SCALE: 1/1	- CONFIDENTIAL - PROPERTY OF CUMMINS POWER GENERATION GROUP	FOR INTERPRETATION OF DIMENSIONS AND TOLERANCING, SEE ASME Y14.5M-1994	FIRST USED ON BT 1200	D 0310-0734	REV E

REL NO	LTR	NO	REVISION	OWN	CAD	APVD	DATE
ECO-125690	E	3	NOTE 3, 'NEMA 3R, 4, 4X AND 12 ENCLOSURE' WAS 'NEMA 3R, 4 AND 12 ENCLOSURE'	NAK	LJY	L.SMITH	12JUN12
		4	ZONE C3, RMV 'REMOVABLE BACK PANEL'	NAK	LJY	L.SMITH	12JUN12

NOTES:

- DIMENSIONS IN () ARE MILLIMETERS.
- USE SEPARATE CONDUITS FOR CONTROL WIRING AND POWER WIRING. DO NOT COMBINE.
- NEMA 3R, 4, 4X AND 12 ENCLOSURE.
- LUG CAPACITY - PHASE LUGS : (4 WIRES) #2-600 MCM CU-AL.
- APPROX. WEIGHT : 2185 LBS, MASS : 991 Kg.
- WIRE BENDING SPACE CONFORMS TO NATIONAL ELECTRIC CODE (NFPA70).
- REFER TO THE NATIONAL ELECTRIC CODE FOR MINIMUM CLEAR SPACE IN FRONT OF THE ENCLOSURE.
- NOTED AREA INDICATES WIRING AND CABLE ENTRANCE AREA. DO NOT INSTALL OUTSIDE OF THIS AREA.
- TOP ENTRY ONLY.



SECTION A-A

1200 AMP 4 POLE

UNLESS OTHERWISE SPECIFIED, ALL DIMENSIONS ARE IN MILLIMETERS		SIM 10	OWN A. GOETZ		CUMMINS POWER GENERATION	
DO NOT SCALE PRINT		CAD J. MORLEY	OUTLINE, CONTROL BOX			
X ± 1	0.00- 4.99 +0.15/-0.08	APVD N. SCHOTTLER	DATE 28JAN09	SITE CODE	SHEET 2 OF 2	
.X ± 0.8	5.00- 9.99 +0.20/-0.10	BT 1200		PGF	REV E	
.XX ± 0.38	10.00-17.49 +0.25/-0.13	BT 1200		D	0310-0734	
ANG TOL: ± 1.0°	SCALE: 1/1	- CONFIDENTIAL -		FOR INTERPRETATION OF DIMENSIONS AND TOLERANCING, SEE ASME Y14.5M-1994		

Part A004Y411 E

Description	Legacy Name	External Regulations	Application Status	Release Phase Code	Security Classification	Alternates
OUTLINE,CONTROL BOX	0310-0734	None	Production Only	Production	Proprietary	

Part Specifications :A004Y411 E

Name	Description	Legacy Name
A030B356	SPECIFICATION,MATERIAL	CES10903
A012U119	DRAWING,INSTALLATION	0310-0734